



SERVICE ONE, INC.

**Equipment Rental & Access Innovations for
Construction and Maintenance**

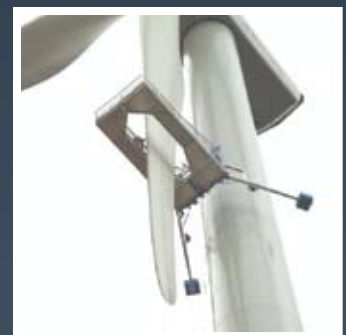
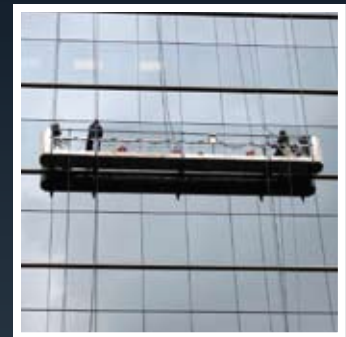


Specialty Boom Lifts

Suspended Access
Powered Platforms

Scaffolding

Rigging



Partnering with our clients since 1984

Specialty Aerial Boom Lifts and Access Solutions



PAGE 3

Reach-Master Atrium Lifts

The amazing Reach-Master fits through a 32 inch door, yet reaches heights of 105 feet, and weighs less than 9300 pounds. The variable outrigger patterns and double jib provide flexible installation options and an outreach of 45 feet.

Custom models available in various heights ranging from 68 feet to 138 feet

PAGE 6

Sidewalk Pedestrian and Construction Canopies

As an approved City of Chicago erector of frame-supported and sidewalk canopy scaffolds, we provide certified technicians for light duty rolling canopies for maintenance, and heavy-duty construction canopies.



PAGE 4

Denka Atrium Lifts

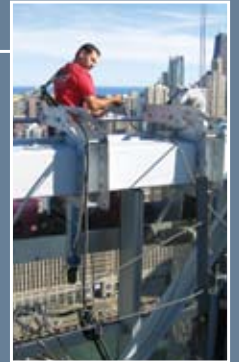
Reaching heights up to 90 feet, the compact Denka Lift will fit through a 36 inch door. Weighing less than 5800 pounds, the Denka Lift is safe on all types of delicate flooring and applications where low floor pressure loading is required.

We can provide equipment rentals for your in-house staff or subcontractors, or furnish the equipment with a skilled operator to assist with cleaning, lighting maintenance or other tasks.

PAGE 6

Suspended Access Powered Platforms

Contractors, engineers and inspectors rely on Service One to provide custom scaffolding equipment for their access needs. Façade inspections and critical reviews can be performed with our technicians and equipment services, in conjunction with the project's structural engineer.



PAGE 5

Specialty Boom Lifts

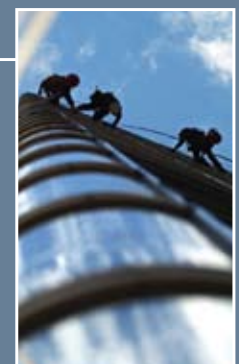
Our specialty boom lifts for rental or purchase include:

- Lightweight narrow trailer booms with working heights from 55 to 75 feet.
- Track mounted outrigger supported boom lifts for unmatched flexibility in narrow access applications, working heights from 46 to 76 feet.

PAGE 6

Rope Access Services

Challenging rigging projects often require skilled rope technicians for safe, hands-on access. We have experience in rigging for façade inspections, photographic documentation, banner installation or any application requiring rope descent systems (RDS). Call for labor and material rates.



PAGE 6

Tower Scaffolding

As a factory authorized distributor for several major scaffold manufacturers, specializing in both aluminum and steel scaffolding, we have the right scaffold equipment for your application. Call us today for a free consultation for any of your scaffold or access needs.

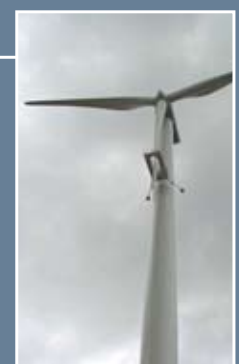
From systems scaffold for narrow Chicago bungalow gangways to spanning swimming pools, we have done it all!

PAGE 7

Wind Energy Services

Temporary and permanent access for wind energy turbines:

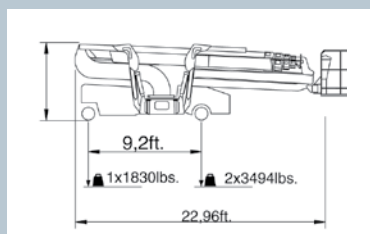
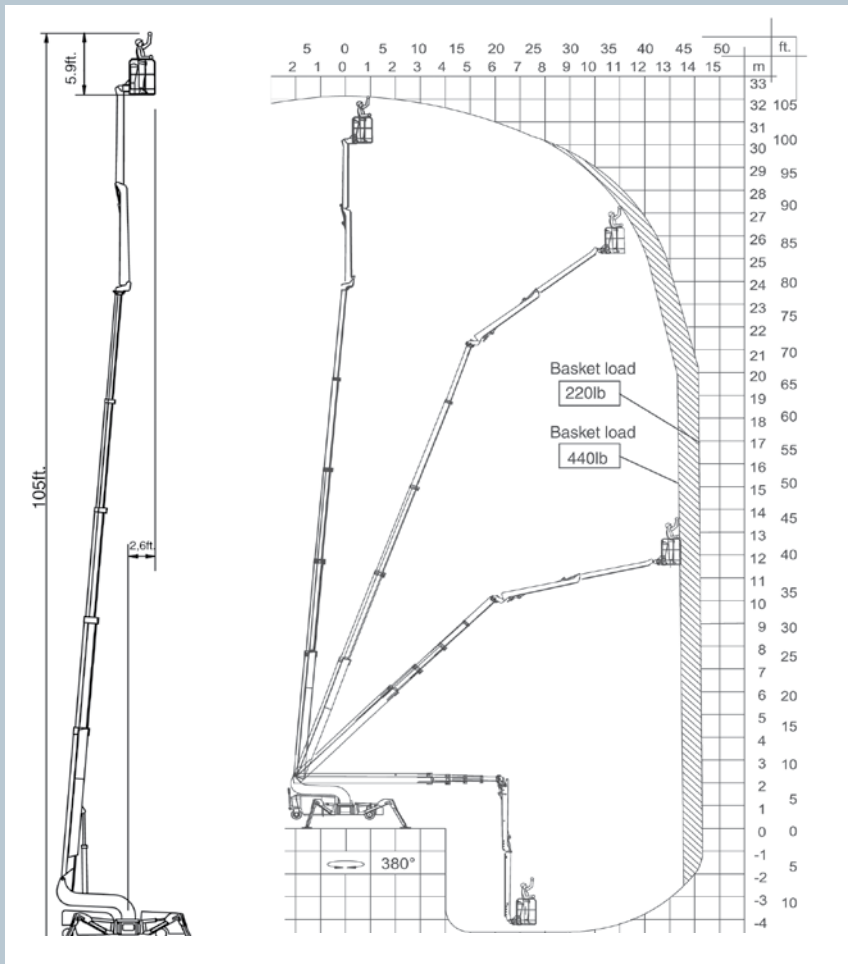
- Rental or purchase of temporary blade access and tower maintenance platforms.
- Permanent installation and sales of interior tower access cages.



REACH-MASTER SPECIFICATIONS

Model Number and Working Height	FS-95	FS-105
Width	32" to 54"	32" to 54"
Weight	7950 pounds	9127 pounds
Height (Transport Mode)	6'-6"	6'-6"
Length	21 feet	24 feet
Maximum Outreach (Varies, see outrigger layout)	37 – 45 feet	45 – 47 feet
Maximum ground pressure under 1 wheel	116.6 psi	134 psi
Maximum ground pressure under 1 outrigger plate	34.1 psi	41.2 psi
Maximum load on any 1 outrigger	4100 pounds	4945 pounds

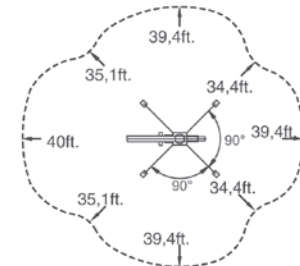
Service One, Inc. specializes in nationwide rentals and sales of the Reach-Master. Also available in heights of 121 and 138 feet! **Call for specifications and pricing.**



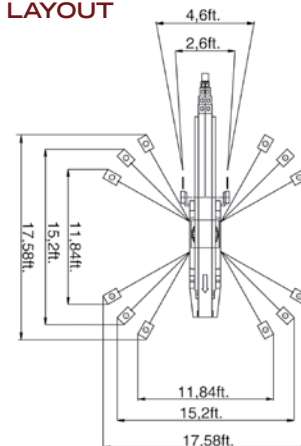
Narrow Boom Lifts With Jib



OUTREACH WITH OUTRIGGERS MAXIMIZED



VARIABLE OUTRIGGER LAYOUT



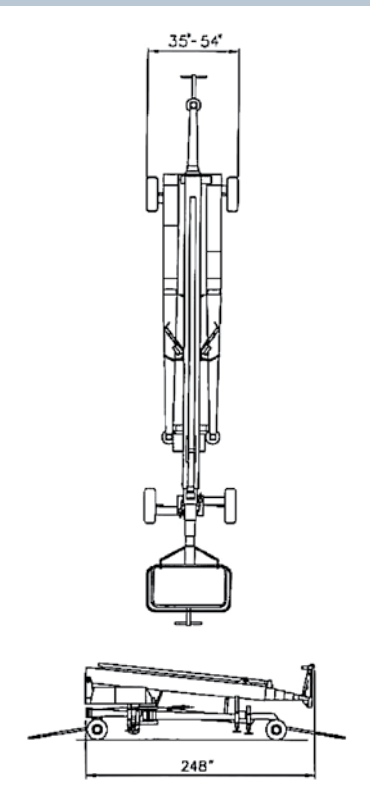
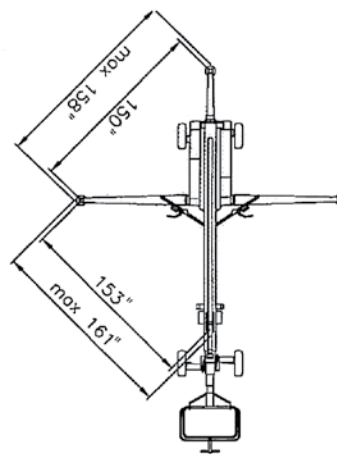
Denka Atrium Lifts



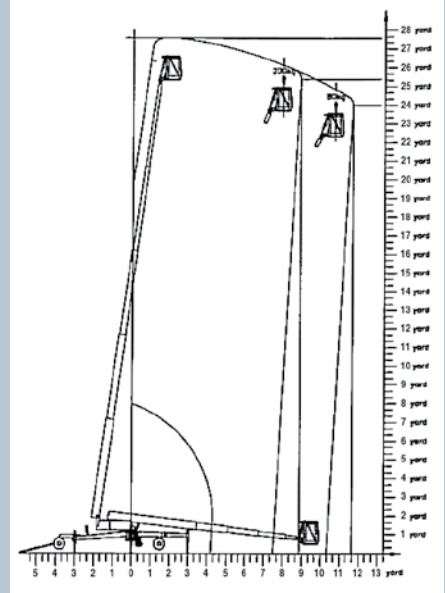
DENKA SPECIFICATIONS

Model Number (Working Height)	AT-80 (82')	AT-90 (92')
Weight	5450 pounds	5800 pounds
Height (Transport Mode)	6'-6"	6'-6"
Length (Varies by Model)	17'-11" to 21'-3"	20'-4" to 24"-0"
Maximum Outreach	30 feet	30 feet
Maximum ground pressure wheels	42 psi	73 psi
Maximum ground pressure outrigger plate	15 psi	18 psi
Power – 110 Volt	Electric or Battery	

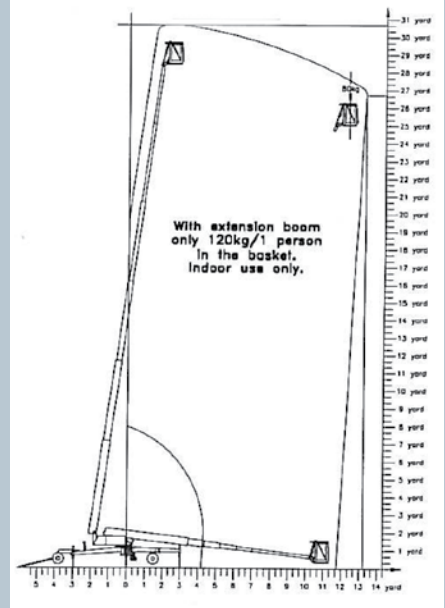
ATRIUM 80 & ATRIUM 90



ATRIUM 80



ATRIUM 90



Specialty Boom Lifts

Innovative construction and design requires cutting edge technology and unique features such as trailer mounted and track mounted booms. We also provide a full line of conventional Scissors and Boom Lifts for rental or purchase.

DENKA TRAILER SPECIFICATIONS

Towable Trailer Boom	2500 DK3MK9
Maximum Working Height	82 ft.
Maximum Outreach	32 ft.
Maximum Load in Basket	440 lbs.
Maximum People in Basket	2
Transport Length	27 ft.
Transport Height	7'-4"
Transport Width	5'-3"
Approximate Weight	4850 lbs.
Turning Radius	360°
Basket Dimensions	27"x47"
110 Volt Electric Charging System—Electric or Battery	



TRACK MOUNTED BOOM LIFT SPECIFICATIONS

Single door access	LL46	LL63	LL76
Maximum working height (264 lbs in basket)	46 ft.	63 ft.	76 ft.
Maximum working height (440 lbs in basket)	40 ft.	56 ft.	71 ft.
Maximum horizontal reach (264 lbs in basket)	22 ft.	21 ft.	38 ft.
Maximum horizontal reach (440 lbs in basket)	18 ft.	16 ft.	33 ft.
Transport Width	32"	32"	39"
Transport Height	6' 7"	6' 7"	6'-8"
Length	13'-3"	14'-9"	19'-6"
Maximum ground pressure			
—Tracks	5.8 psi	9 psi	7 psi
—Outriggers	25 psi	28 psi	43.5 psi
• Set-up on Uneven Floors • Dual Power • 110V to Basket • Air/Water to Basket			



Track mounted booms with outrigger supports provide unparalleled access capabilities when stairs, slopes or landscaping features restrict the access of traditional lifts.

Scaffolding and Rigging Services

Service One combines an innovative approach with extensive experience in the field of access technology. Call us for all of your access needs, from rentals to expert rigging.



SUSPENDED SCAFFOLD ACCESS

Contractors, engineers and inspectors rely on Service One to provide custom scaffolding equipment for their access needs. Façade inspections and critical reviews can be performed with our technicians and equipment services, in conjunction with the project's structural engineer.

As a consultant to some of the world's tallest buildings, Service One provides expert design layouts, compliance protocol and equipment for suspended access, including roof anchors, monorails, and fall protection systems.



SUSPENDED ROPE ACCESS AND SPECIALTY RIGGING

Our experience in rigging some of the world's tallest buildings and soaring atriums provides peace of mind that you will receive the highest level of safety and service. Oftentimes, access requires innovative approaches such as rope access or a combination of equipment and labor.



ALUMINUM TOWER SCAFFOLD SYSTEM – RENTAL AND CUSTOM RIGGING

Specializing in “Upright International” (UI) aluminum system scaffolds.

As a factory authorized distributor stocking a large inventory, Service One rents UI aluminum tower scaffold and also provides expert erection and rigging services.

Our capabilities range from towers up to 125 high to clear spans up to 40 feet.



STEEL TOWER SCAFFOLDING

Frame supported steel tower scaffolding rental and rigging services.

Outrigger base support frames and custom temporary rigging, including bridge access, cantilevel decks and support systems for suspended scaffolds and lightweight material hoists.



SIDEWALK AND CONSTRUCTION CANOPIES

Pedestrian sidewalk canopy rentals.

Heavy duty construction canopy rentals.

Same day response for rigging services.

City of Chicago authorized installer.

From securing and expediting the required City of Chicago permits, to emergency response teams for same day service, call us for all your scaffold needs.

ACCESS PLATFORMS FOR WIND TURBINE TOWERS

Custom modular platforms for rotor blade access and tower maintenance:

- Rigging adapts to all standard types of wind turbine towers and blades.
- Includes effective loads up to 240 Kg.
- Modular design allows for flexible, safe positioning and stabilization.
- Furnished complete with tandem trailer.
- Temporary platforms available for rental or purchase.

PERMANENT ACCESS SOLUTIONS

Tower hoist personnel cage for interior and exterior tower access for retrofit and new construction.

- Eliminates climber fatigue; allows safe and quick access to any point on the tower.
- Automatic controls and manually operated emergency descent controls.
- Easily retrofitted to existing metal ladders or supplied complete with new aluminum ladders.
- Standard working loads of 550 lbs.

Call for pricing and technical assistance.





SERVICE ONE, INC.

Nationwide Rentals, Sales and Service

2850 West Fulton
Chicago, Illinois 60612

773.533.5100

773.533.3088 FAX

800.298.7990

www.denkalift.com

www.reach-master.com

www.glass-metal.com

Proud Member



BOMA
CHICAGO
MEMBER

