



B72 BLUELIFT

The BLUELIFT Series

The new line of quality aerial lifts from the Italian manufacturer Bluelift s.r.l., provide unique track-mounted (crawler) boom lift solutions. Innovation, quality, superior design, and above all safety are trademarks of Bluelift s.r.l. With working heights from 39 to 72 feet, in and outdoor use, and access through a single or double door, the BLUELIFT series appeals to a broad range of applications: Rental industry (residential as well as commercial), window cleaners, building maintenance, tree care industry, and HVAC operators to mention a few. These compact lifts feature dual-fuel capabilities - a 110 volt electric drive motor for indoor use, and an on-board gas powered generator for use outdoors.

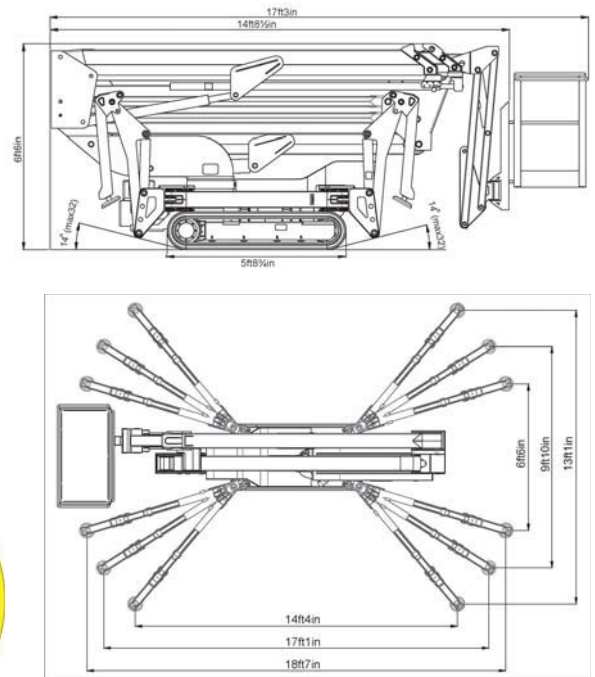
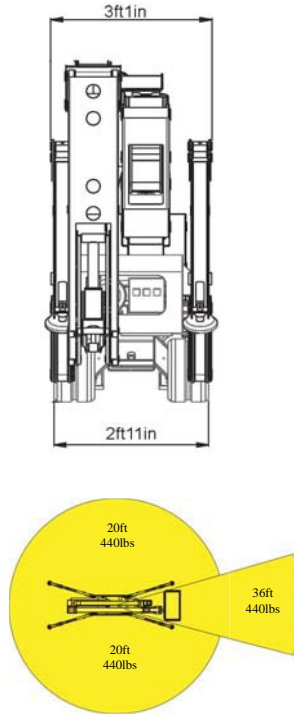
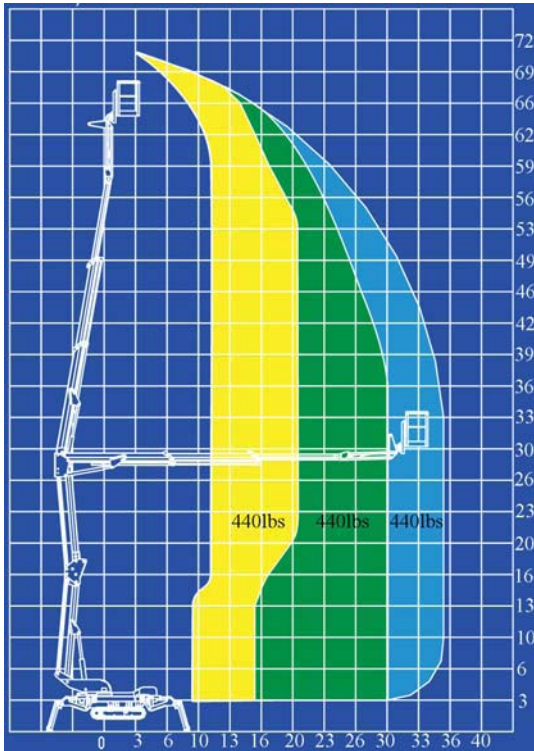
- Available in 4 models from 39ft - 72ft
- Pass through a single or double door opening
- Automatic outrigger setting
- Full workheight with 440lbs in the basket
- Remote and wireless control
- 110V to the basket
- Set up on uneven surfaces
- Detachable basket
- FMS (Function Memory System)
- Automatic turret center stop

Model

B72

Working height	72'
Basket height	66'
Max outreach	36' (max outrigger)
Basket load	440 lbs
Basket dims	4'- 3 ³ / ₄ " x 2'- 3 ¹ / ₂ "
Basket rotation	+/-80°
Turret rotation	360°
Height	6'- 6"
Length (w/o basket)	14'- 8 ¹ / ₂ "
Length (w/ basket)	17'- 3"
Width (w/o basket)	3'- 1"
Footprint	Variable
Weight (approx)	6,600 lbs
Max pressure, tracks	6.7 psi
Max pressure, footplate	71.1 psi
Track size (per track)	54" x 9 ¹ / ₂ "
Foot pad size (per pad)	48 ¹ / ₂ sq-in
110V drive motor	Standard
Honda gasoline engine	Standard
Hatz diesel engine	Option

We reserve the right to alterations



B72 BLUELIFT

Standard Equipment

- Automatic stability & outreach control
- Computer controlled (can-bus)
- Proportional controls
- Self propelled
- 110V drive motor
- Honda iGX440 15HP engine
- 360° non cont. turret rotation
- Manual pump for emergency lowering
- Width of only 3ft 1in
- 2 person basket
- Full work height with 440lbs in basket
- Full outreach with 440lbs in basket
- Space for tools etc in basket
- 110V to the basket
- Adjustable tracks
- 160° (+/-80°) basket rotation
- Wireless control
- FMS (Function Memory System)
- Automatic turret center stop

We reserve the right to alterations

Optional Equipment

- Non marking tracks
- Air/water to the basket
- Hatz diesel engine

Additional Specifications

Boom angle	0°/ +75°
Oil tank capacity	8 gal
Max windspeed	28 mph
Operating speed	0.9 mph
Travel speed	0.9 mph
Drive gradability	15°/28%
Set-up gradability	10°/18%
Outrigger set up (outside measurement)	
	15'- 2" x 13'- 9"
	17'- 9" x 10'- 6"
	19'- 3" x 7'- 2"



SERVICE ONE, INC.

2850 W. Fulton St.
Chicago, IL 60612
TF: 1-800-298-7990
Tel: 773-533-5100
Fax: 773-533-3088
www.reach-master.com